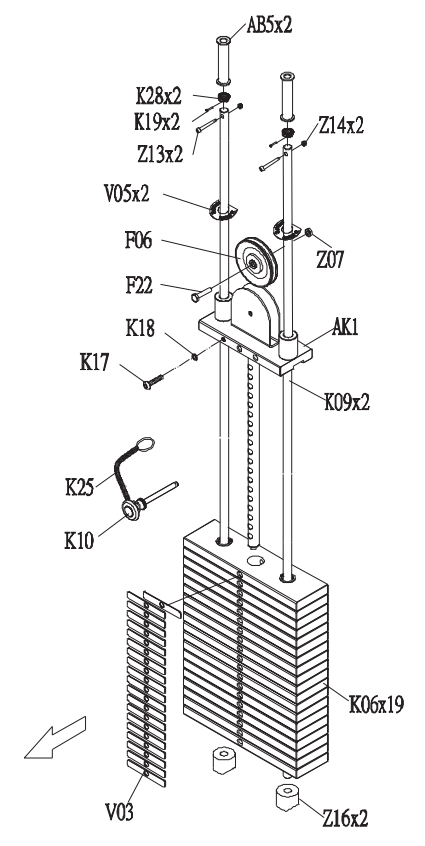
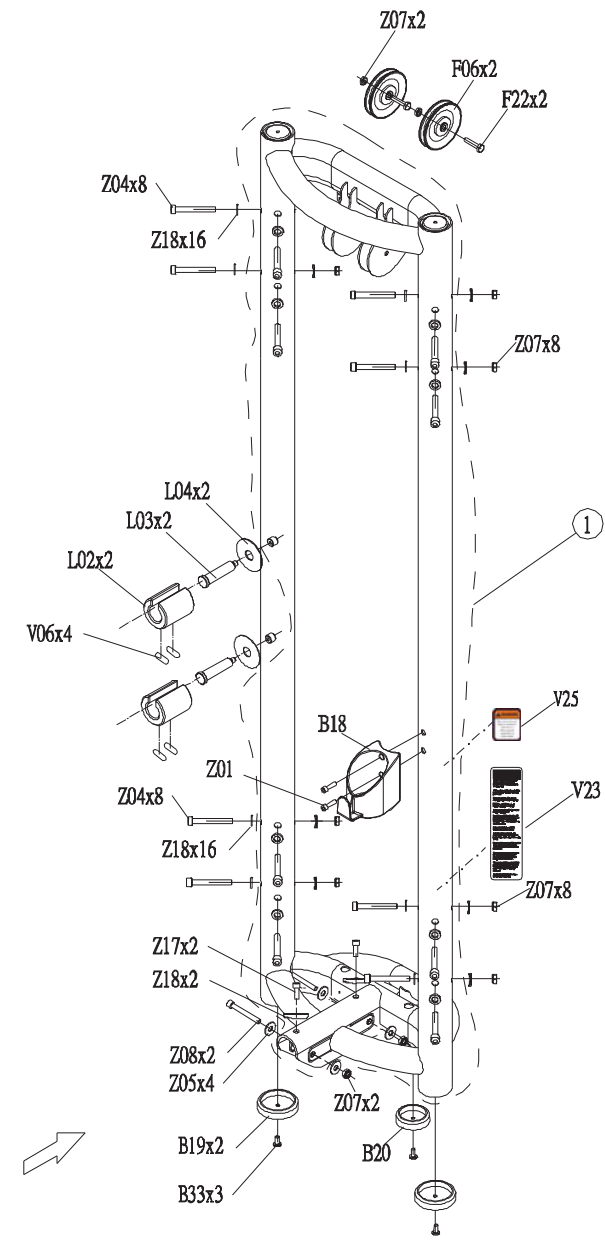
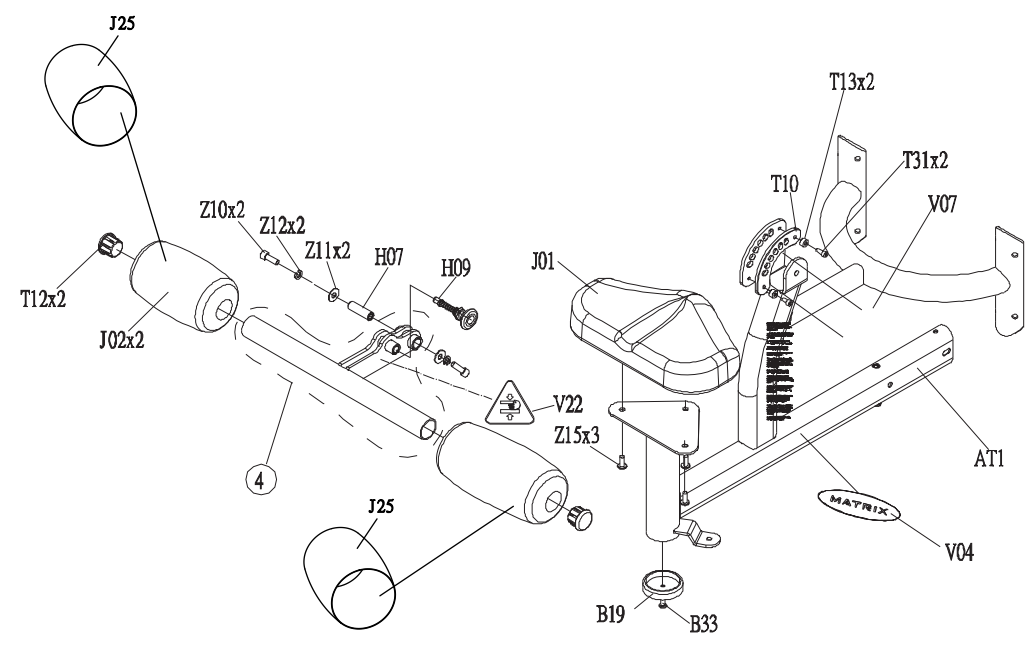
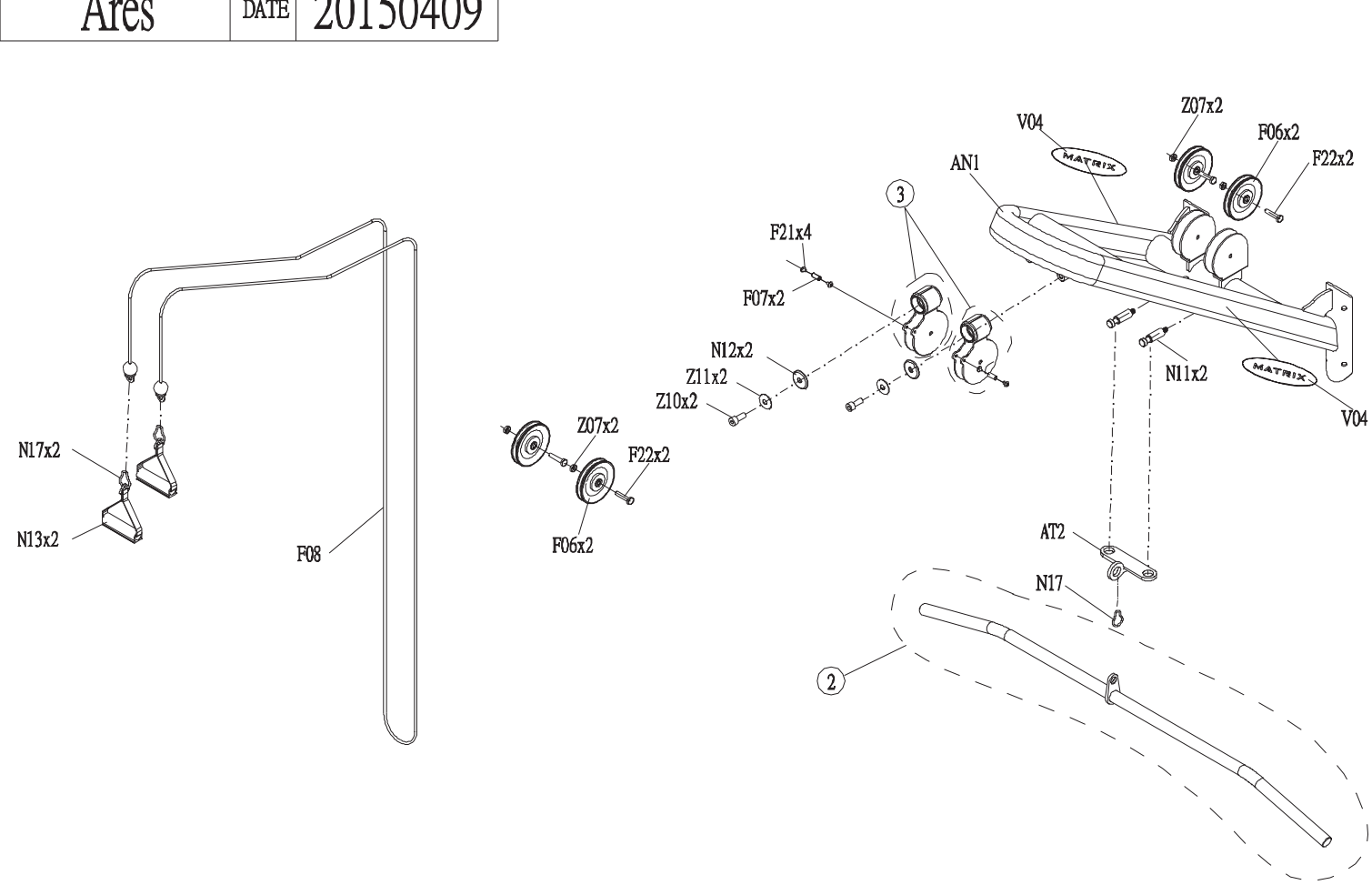
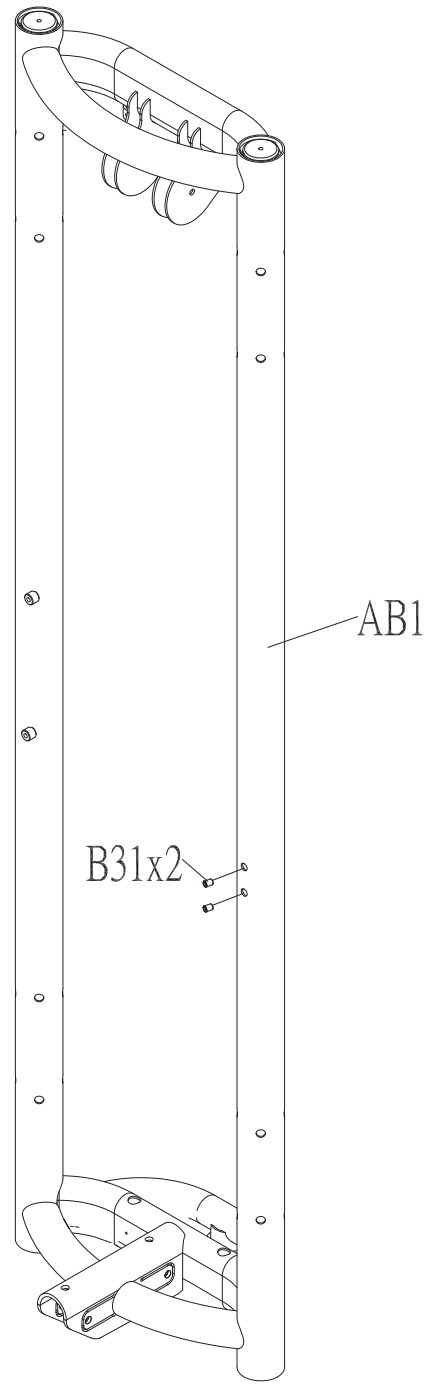


DRAWING NO			
PART NAME	FG Fabricate Set;MS51		
PART NO	1000330387	REV	B
APPROVE	Ares	DATE	20150409

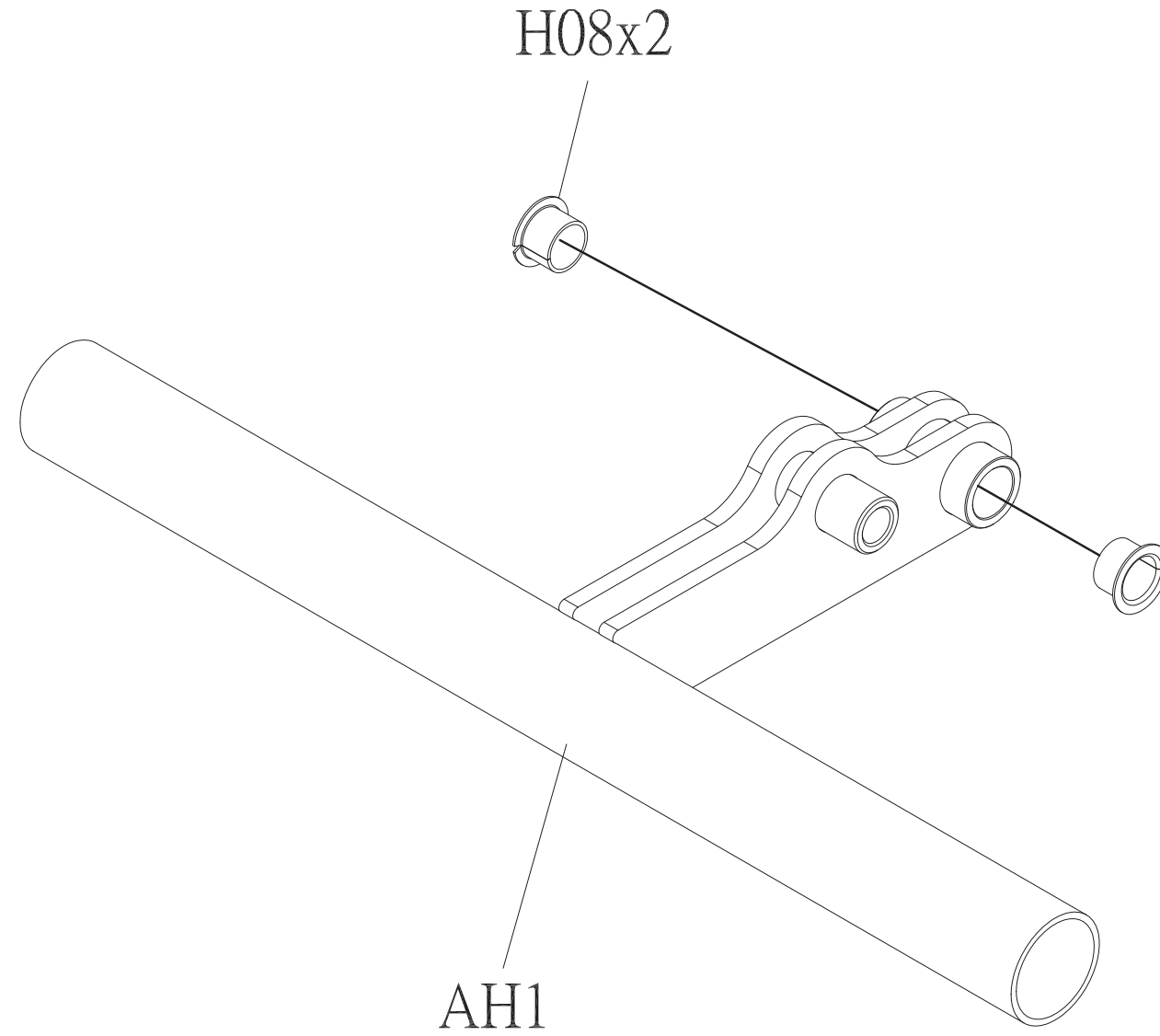


DRAWING NO			
PART NAME	Frame Set;Semi-Assy;MS51KM-G3		
PART NO	See chart	REV	A
APPROVE	Ares	DATE	06/25/14

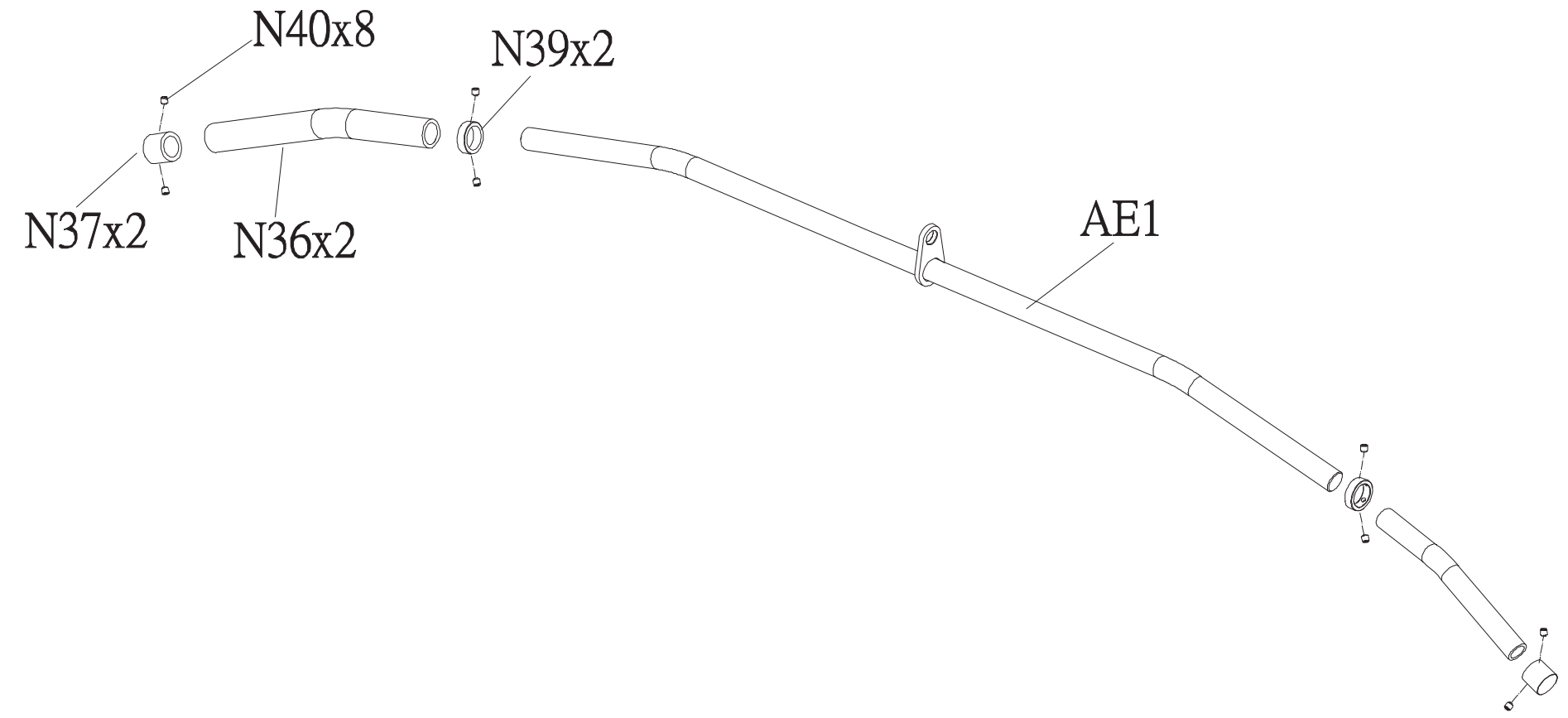
Coulour	Part no.
Default	097402
Black Matte	1000320869
Iced Sliver	1000349147



DRAWING NO			
PART NAME	ADJ STRETCH SET		
PART NO	089908	REV	A
APPROVE	Ares	DATE	08/20/13

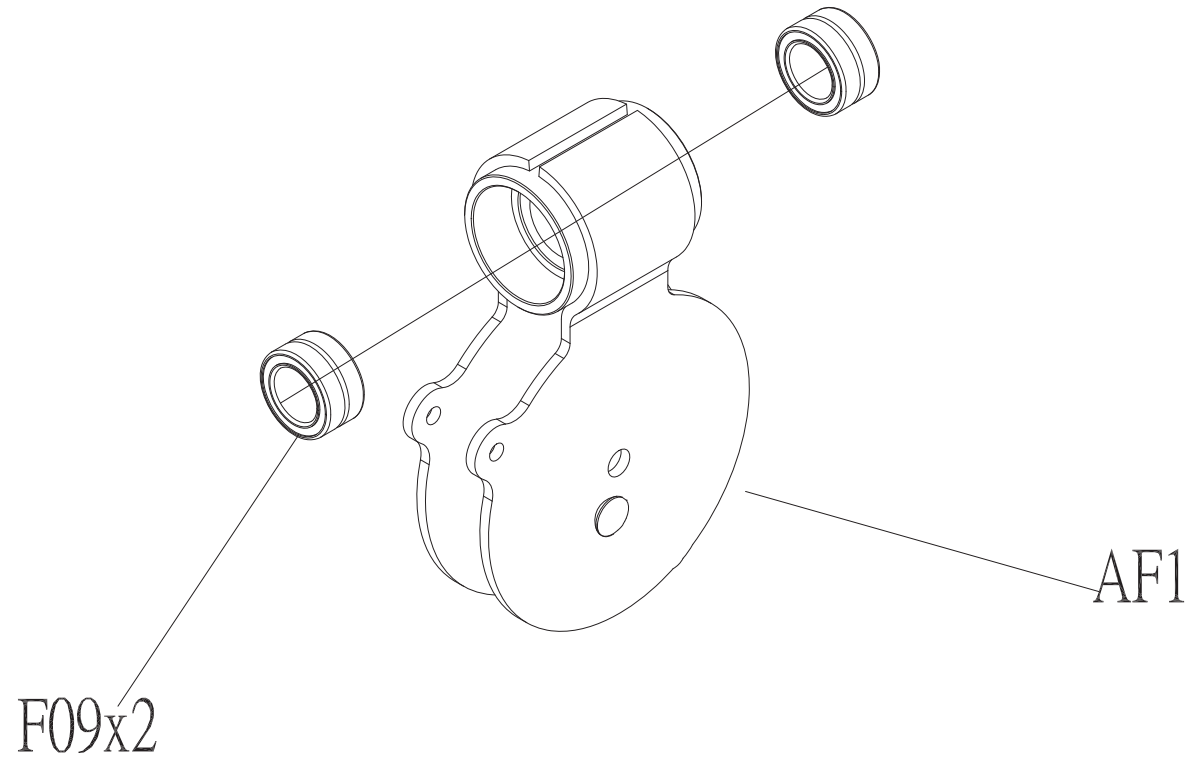


DRAWING NO	
PART NAME	GRIP SET;MS50
PART NO	089910
APPROVE	Ares
DATE	20150409

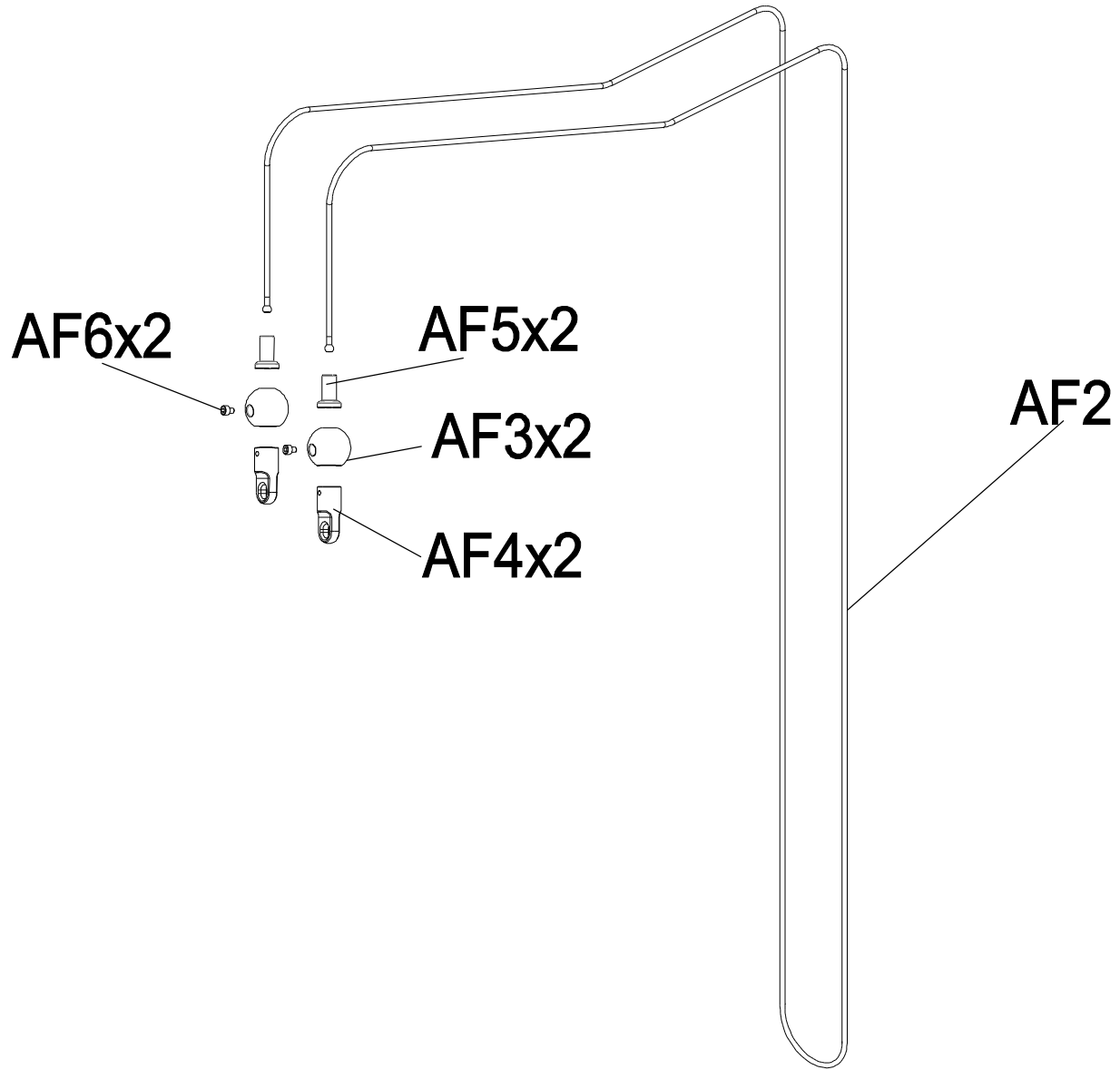


DRAWING NO			
PART NAME	Movable Pulley Fixing Set;MS53		
PART NO	See chart	REV	A
APPROVE	Ares	DATE	06/25/14

Coulour	Part no.
Default	1000349148
Black Matte	1000320868
Iced Sliver	089905



DRAWING NO	MS51-SF35		
PART NAME	Rendering;Steel Rope Unassembled;MS51		
PART NO	1000435408	REV A	
APPROVE	Taoyongchun		DATE



Reference Number	Part #	Description	Notes
2	1000375538	STEEL ROPE PULLEY SET;;;Polarized Titani	
AB5	1000363588	Stopper set;Guide Rod;;painting;;;MS20; Steel Cable Wheel, Polarized Titanium (MS40, 51- 53,80)	See "Guide Rod Stops" in Service Bulletins.
AF1	015831-B		
AF3	1000431432	Plastic Ball;Steel Rope;;PA66+GF30%;;;MS	
AF4	1000431435	Fix Block;Rop;;;Chrome;MS10;;	
AF5	1000431433	Protect Bushing;Steel Rope;;PU;BL/Black	
AF6	1000305873	Screw;Socket Head;M5X0.8PX6L;;Hex Socket	
AK1	1000318314	Up Weight Plate Set-Exreawork;;;MS52;	
B18	000791-B	Water Bottle Holder	
B19	000510-D	Foot Pad;Rubber;76.2mm	
B20	000508-D	Foot Pad;Rubber;60mm	
B31	1000444959	RVN;;A2-M8-BF;;;	
B33	1000102893	Screw;Hex Socket;Flat;M8x1.25Px20L;Cr Pl	
F06	073573	Pulley; 115mm	
F07	009247-A	Axle;Swivel;;S45C;10x25L	
F08	1000474132	Steel Rope Set;;;No Fix Block;Press Rope	Contains AF2, AF3, AF5.
F09	004077-A2	Ball Bearing;6004ZZ;20X42X12T;;SKF;;;	
F21	087955	Screw;BH;M6X1.0PX10L;;HS;;CHM;;BP	
F22	1000104720	Screw;HH;M10x1.5Px45L;P-T15L;CHM;BP;G8.8	
F40	089983	Grip;MS21KM-G3;	
K09	1000210974	Guide Rail;19x2180L	
K10	1000372591	Adjustable Pin;Weight Plate;;42CrMo;Chro	
K10	1000212618	Adjust set;Semi-Assy;;Service;;GM30C;;	Pin + Lanyard
K13	1000102912	Circlip;External C Type;S-30;BED	
K15	1000105039	Pin;Spring;10X70;OXIDIZE	
K17	004720-AH	Screw;Hex Socket;Oval;M8X1.25PX20L	
K18	005040-00	Washer;Flat;Diam.8.5xDiam.19.0x1.5T;;Bla	
K19	1000104705	Screw;RND;M6x1.0Px15L;HS;CHM;BP;G8.8	
K24	001508-E	Long Guide Rubber Plate;POM	
K25	005847-A	Lanyard;Weight Selection Pin	
K28	1000345425	Stopper Ring;Guide Rod;;Chrome;GM41;;	

L02	1000098481	Weight Plate, Incremental	
L03	1000098483	Extrawork;Incremental Weight Plate Hook;	
L04	000755-CA	Elastomer;Incremental Weight Plate	
N06	1000375596	Washer;Flat;	
N07	009250-A	Grip;Both Hands	
N08	1000380094	Karabiner Spring Snap;;9(45mmx90mm);Sta	
N21	004556-AB	Screw;Hex Socket;Round;M12x1.75Px25L;Cr;	
N38	005132-00	Washer;Flat;13x26x2.5T;Chromed	
Not Shown	1000364887	Cover set;Semi-Assy;back;;;MS23KM-G3;; (Back	Original logo design; used BEFORE
Not Shown	024584-A	Cover)	July 2021. See the service bulletin
		Hardware Pack	"Top Cap and Shroud Change".
Not Shown	1000456271	Cover set;Semi-Assy;back;;New LOGO;;MS23	New logo design; used since July
V02	006620-D	Decal;Weight Plate;10LBS	2021. See the service bulletin
V05	006652-C	Decal;Incremental Weight Plate	"Top Cap and Shroud Change".
V06	006653-C	Decal;Weight Plate	
V23	1000232600	Warning Label;-;-;-;PC;-;-	
Z01	004535-AC	Screw;Hex Socket;Round;M8x1.25Px30L	
Z02	020304-AC	Screw;Hex Socket;M10X1.5PX35L;Cr Plate	
Z05	004557-A	SCREW;SH;M6X1.0PX45L;;HS;;CHM;;	
Z06	004938-00	Nut;Nylon;M6X1.0P;Chromed	
Z09	1000102867	Screw;Hex Socket;Round;M10x1.5Px100L;Cr	
Z10	004943-00	Nut;Nylon;M10x1.5P;Cr Plate;	
Z11	001513-A	Rubber Block;Shock Absorb	
Z18	008523-B	Washer;Arc;M10x28x10.5T;SS41	
1	1000349149	Frame set;;;Iced Sliver;MS52KM-G3;;Servi	
AB1	Order Kit 1	Frame Set;;;painting;;Iced Sliver;MS52KM	
AF2	1000434803	Steel Rope Set	Please order kit (F08) instead.
AN1	1000349396	Lower Pull Set;;;Painting;;Iced Sliver;M	
J01	See Pad Matrix	Back Pad;;PU;Black;MS52KM-G3;	

V25	1000364025	Warning Label;Anti Falling Down;French;;	
V25	1000359953	Warning Label;Anti Falling Down;MS24B;;	
2	089905	STEEL CABLE WHEEL SET;;MS53	Discontinued
B31	004975-00	Insert Nut;Brass;ALS7-8125-3.8(0.5-3.8)	Discontinued
F08	1000301745	Steel Rope-Extrawork;-;-;Press Rope Hand	Discontinued - Total length = 2.354 meters.
			See service bulletin Cable Field Upgrade. // If manufactured 1901 or later, return to attention of Chris Deblois. // Note: The cable stopper components are also available to order separately. See the diagram page below.
F08	1000431495	Steel Rope-Extrawork;;;Press Rope Hand;D	
K04	009641-F	Bayonet;Weight Plate;20 Aperture\\ Discontinued: Order top weight plate set instead	Discontinued
K10	1000091374	Weight Stack Pin;Orange;Zn Plate;M	Discontinued
N06	037986-B	Pulley Set;Steel Rope	Discontinued
N08	078462	Karabiner Spring Snap;;9(45mmx90mm);;Cr	Discontinued